

Dive No. 21 Date 7-18-08

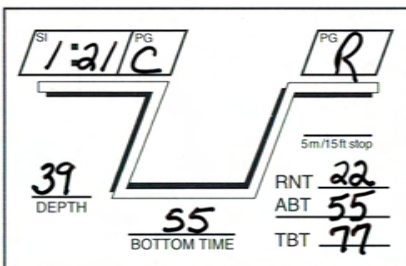
Location Bonaire - Andrea II

Time IN 12:15 Time OUT 1:10

bar/psi START 3000

Weight 12 lbs kg

bar/psi END 800



Exposure Protection

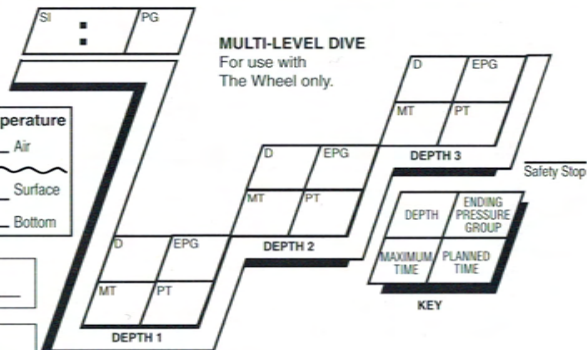


- Fresh
- Salt
- Shore
- Boat
- Waves
- Current
- Surf
- Surge

Temperature
 Air _____
 Surface _____
 Bottom _____

Visibility 60'

Computer _____



Comments (Suggestions: activity/type of dive, location, dive boat, diving conditions, equipment, aquatic life, underwater geography/topography)

Underwater photos.

Great Shot of Tricia w/Green Sea turtle.

Camera Shop owner recommended we NOT do three dives today since we are flying out tomorrow. He said if we get bent on the plane, and plane must land, it's \$75,000 that insurance won't pay. He didn't seem to think we were very smart to be diving at all.

Bottom Time to Date _____
 Time This Dive + _____
 Cumulative Time = _____

Verification Signature: Greg Adams
 Instructor Divemaster Buddy
 Certification No. 0207627121

Dive No. _____ Date _____

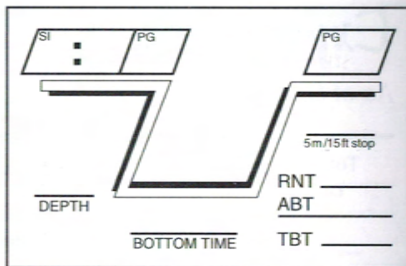
Location _____

Time IN _____ Time OUT _____

bar/psi START _____

Weight _____ lbs kg

bar/psi END _____



Exposure Protection

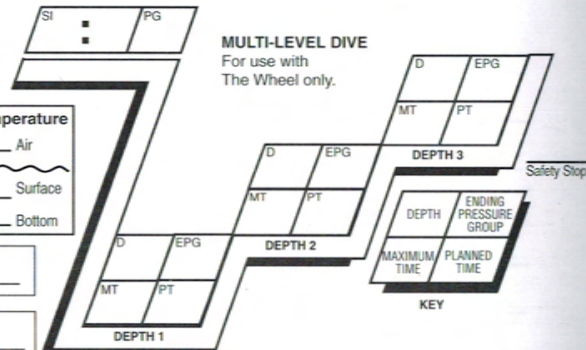


- Fresh
- Salt
- Shore
- Boat
- Waves
- Current
- Surf
- Surge

Temperature
 Air _____
 Surface _____
 Bottom _____

Visibility _____

Computer _____



Comments (Suggestions: activity/type of dive, location, dive boat, diving conditions, equipment, aquatic life, underwater geography/topography)

Bottom Time to Date _____
 Time This Dive + _____
 Cumulative Time = _____

Verification Signature: _____
 Instructor Divemaster Buddy
 Certification No. _____