

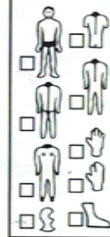
Dive No. 15 Date 7-16-08  
 Location Bonaire - Angel City

Time IN 1:06 Time OUT 1:46

bar/psi START 3000

bar/psi END 1000

Exposure Protection



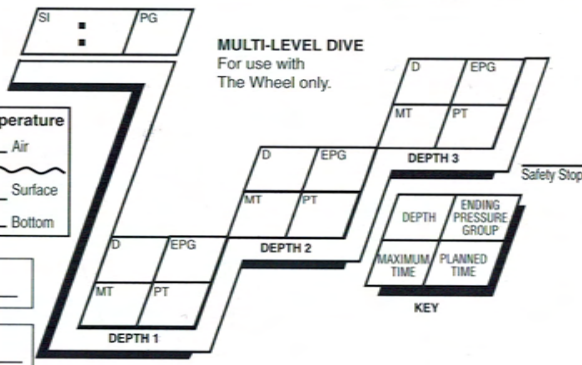
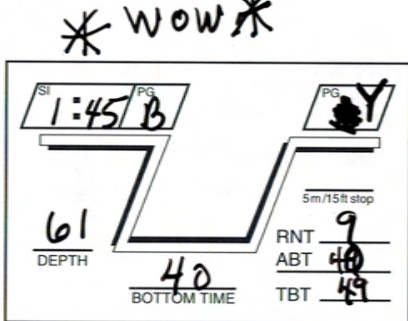
Weight  lbs  kg

- Fresh
- Salt
- Shore
- Boat
- Waves
- Current
- Surf
- Surge

Temperature  
 Air \_\_\_\_\_  
 Surface \_\_\_\_\_  
 Bottom \_\_\_\_\_

Visibility \_\_\_\_\_

Computer \_\_\_\_\_



Comments (Suggestions: activity/type of dive, location, dive boat, diving conditions, equipment, aquatic life, underwater geography/topography)

**\* BEST DIVE SO FAR \***

Two tier reef w/ 2nd shelf floor at 60'. White Sand roads between Tall Coral City. AMAZING landscape. AMAZING life forms.

\* Spotted Eagle Ray

LARGE, swimming Green Moray Eel  
 Conch that left trail in white sand  
 School of ~50 large Silver fish.  
 2 Sea Cucumbers (Donkey Dung)

Lots of divers here

Bottom Time to Date 446  
 Time This Dive + 40  
 Cumulative Time = 486

Verification Signature: Trevor Ward  
 Instructor  Divemaster  Buddy  
 Certification No. 0710054576

Dive No. 16 Date 7-16-08

Time IN 6:35 Time OUT 6:54

bar/psi START 3K

bar/psi END 1200

Exposure Protection



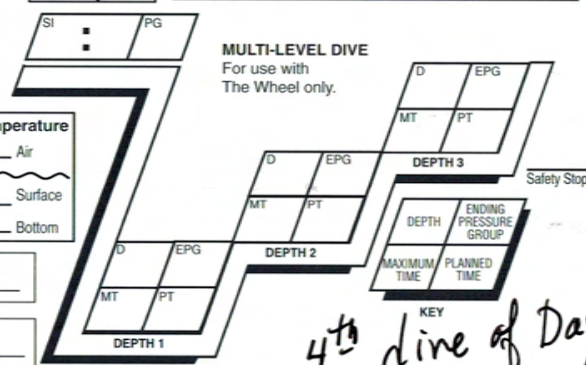
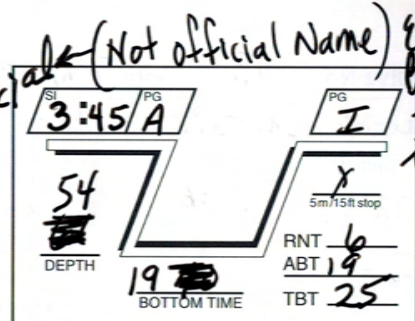
Weight  lbs  kg

- Fresh
- Salt
- Shore
- Boat
- Waves
- Current
- Surf
- Surge

Temperature  
 Air \_\_\_\_\_  
 Surface \_\_\_\_\_  
 Bottom \_\_\_\_\_

Visibility Grey

Computer \_\_\_\_\_



Comments (Suggestions: activity/type of dive, location, dive boat, diving conditions, equipment, aquatic life, underwater geography/topography)

This was another dimly lit dive, but to make it worse, the reef was destroyed and the current was very strong! We aborted this dive early because it sucked so bad. Did nothing but make us tired.

Lesson: If no other divers are present the dive site is worthless. Also, if the resort looks like it got hit by hurricane, stay away. **\* Lots of Divers = Good diving**

Bottom Time to Date 486  
 Time This Dive + 19  
 Cumulative Time = 505

Verification Signature: Trevor Ward  
 Instructor  Divemaster  Buddy  
 Certification No. 0710054576

Eden beach I think