

Experience Summary

As of (Date) _____

Total to Date _____
Last Six Months _____

Number of Dives Made _____

Environment

_____ Fresh Water

_____ Salt Water

_____ Shore

_____ Boat

_____ Waves

_____ Current

_____ Surf

_____ Surge

_____ 0°-10°C/32°-50°F (Cold)

_____ 10°-21°C/50°-70°F (Moderate)

_____ 21°C+/70°F+ (Warm)

_____ Good Visibility

_____ Average Visibility

_____ Poor Visibility

Specialty Dives

_____ Night Dives

_____ Deep Dives (18m/60ft+)

_____ Wreck Dives

_____ Photo Dives

_____ Other: _____

_____ Other: _____

Dive No. 14 Date 7-16-08

Location Bonaire - Hooker

Time IN
10:57

Time OUT
11:17

bar/psi START
3000

bar/psi END
1600

Exposure Protection

Weight
12 lbs kg



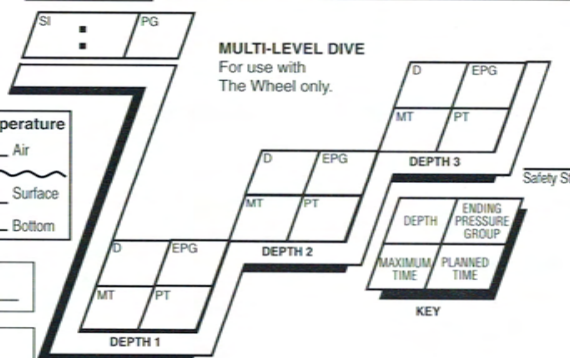
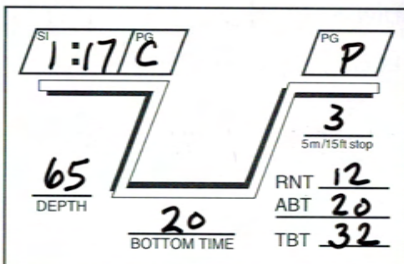
Fresh
 Salt
 Shore
 Boat
 Waves
 Current
 Surf
 Surge

Temperature
— Air
— Surface
— Bottom

Visibility 70'

Computer _____

Shipwreck



Comments (Suggestions: activity/type of dive, location, dive boat, diving conditions, equipment, aquatic life, underwater geography/topography)

Greg & Shelly stood on sand at 97'
The top of the wreck was at 60'
We could see the top from the surface.

Saw a little clear jellyfish.
Lots of divers here and upon
descent the bubbles coming up were
neat.

Lots of divers here

Bottom Time to Date 426
Time This Dive + 20
Cumulative Time = 446

Verification Signature:

Tina Ward
 Instructor Divemaster Buddy
Certification No. 0710054576