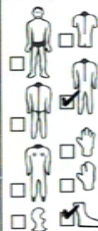


Dive No. 12 Date 7-15-08Location Bonaire-Bari ReefTime IN 6:37 Time OUT 7:11bar/psi START 3000bar/psi END 1600

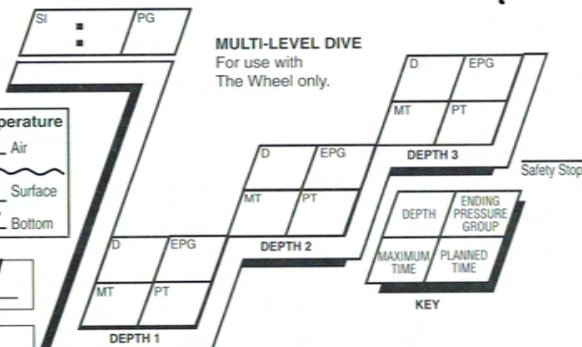
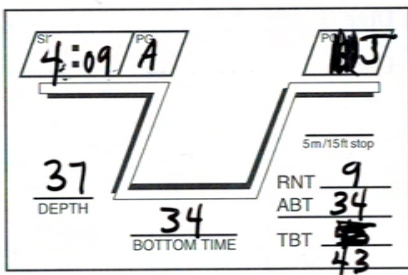
Exposure Protection

Weight 12 lbs kg

-
- Fresh
-
-
- Salt
-
-
- Shore
-
-
- Boat
-
-
- Waves
-
-
- Current
-
-
- Surf
-
-
- Surge

 Temperature
 Air _____
 Surface _____
 Bottom TI
Visibility Dusk 30'

Computer _____



Comments (Suggestions: activity/type of dive, location, dive boat, diving conditions, equipment, aquatic life, underwater geography/topography)

This dive was less enjoyable because the sun was low on the horizon. We could see at 37' but the reef was grey. We had no dive lights, which we need. rented for last night, but they cost \$10 ea.

This was more relaxing, though, than the night dive yesterday at 9pm.

 Bottom Time to Date 353
 Time This Dive + 34
 Cumulative Time = 387
Verification Signature: Tina Ward
 Instructor Divemaster Buddy
Certification No. 0710054576Dive No. 13 Date 7-16-08Location BariTime IN 9:00 Time OUT 9:40bar/psi START 3000bar/psi END 1200

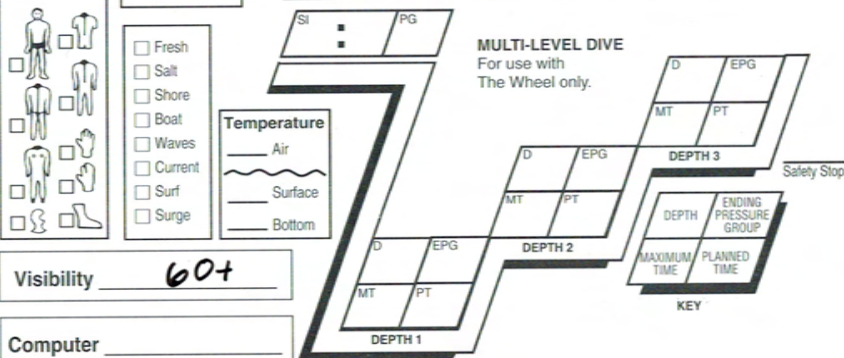
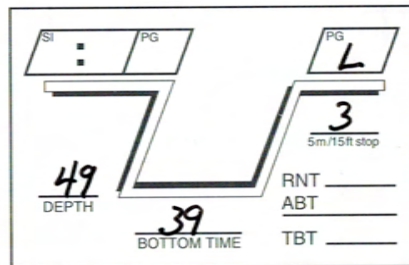
Exposure Protection

Weight 12 lbs kg

-
- Fresh
-
-
- Salt
-
-
- Shore
-
-
- Boat
-
-
- Waves
-
-
- Current
-
-
- Surf
-
-
- Surge

 Temperature
 Air _____
 Surface _____
 Bottom _____
Visibility 60+

Computer _____



Comments (Suggestions: activity/type of dive, location, dive boat, diving conditions, equipment, aquatic life, underwater geography/topography)

Saw Big Brown Crab w/ Black Bat Signal on Back. Giant Angelfish (french)

Bat Wing Coral Crab

 Bottom Time to Date 387
 Time This Dive + 39
 Cumulative Time = 426
Verification Signature: Tina Ward
 Instructor Divemaster Buddy
Certification No. 0710054576