

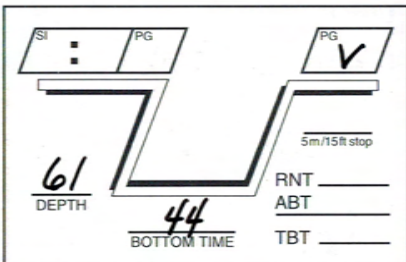
Dive No. 10 Date Tues 7-15-08

Location Bonaire - 1000 Steps

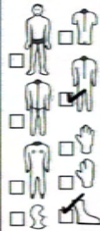
Time IN 11:43 Time OUT 12:27

bar/psi START 3100

bar/psi END 1100



Exposure Protection



Weight 12 lbs  kg

- Fresh
- Salt
- Shore
- Boat
- Waves
- Current
- Surf
- Surge

Temperature

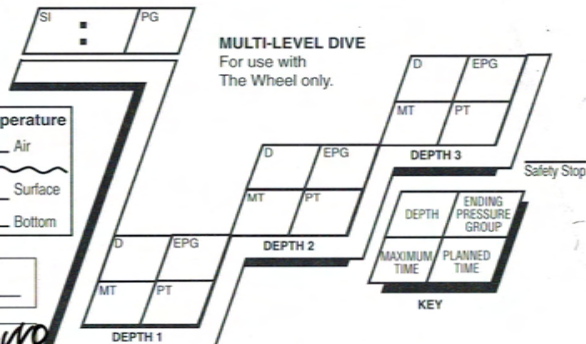
— Air \_\_\_\_\_

— Surface \_\_\_\_\_

— Bottom \_\_\_\_\_

Visibility 80'

Computer yes - Gekko



Comments (Suggestions: activity/type of dive, location, dive boat, diving conditions, equipment, aquatic life, underwater geography/topography)

NDL Exceeded on table because of depth = 61. The plan was 60 max for 45 min.

72 Steps to nice entry beach.  
Strongest Surface Current So far.  
fine at depth.

\* For Coral, This Site was best So far.  
All on steep face.

Busy dive site

Bottom Time to Date 271

Time This Dive + 44

Cumulative Time = 315

Verification Signature: Lucia Ward

Instructor  Divemaster  Buddy

Certification No. 0710054576

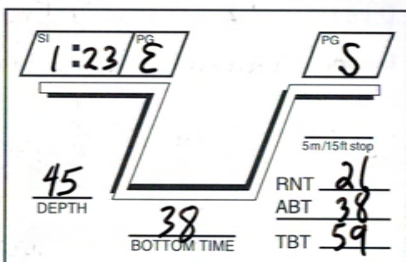
Dive No. 11 Date 7-15-08

Location Bonaire - Ol Blue

Time IN 1:50 Time OUT 2:28

bar/psi START 3100

bar/psi END 1200



Exposure Protection



Weight  lbs  kg

- Fresh
- Salt
- Shore
- Boat
- Waves
- Current
- Surf
- Surge

Temperature

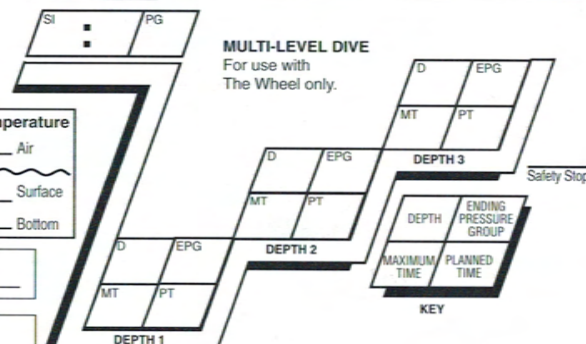
— Air \_\_\_\_\_

— Surface \_\_\_\_\_

— Bottom \_\_\_\_\_

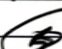
Visibility \_\_\_\_\_

Computer \_\_\_\_\_



Comments (Suggestions: activity/type of dive, location, dive boat, diving conditions, equipment, aquatic life, underwater geography/topography)

Awesome Coral & Sponges. Similar to 1000 Steps. Very rough tide.

Barracuda, Sanddiver  on them until they move  
Lots of divers here = good diving

Bottom Time to Date 315

Time This Dive + 38

Cumulative Time = 353

Verification Signature: Lucia Ward

Instructor  Divemaster  Buddy

Certification No. 0710054576